

# HIAB X-HIPRO 162



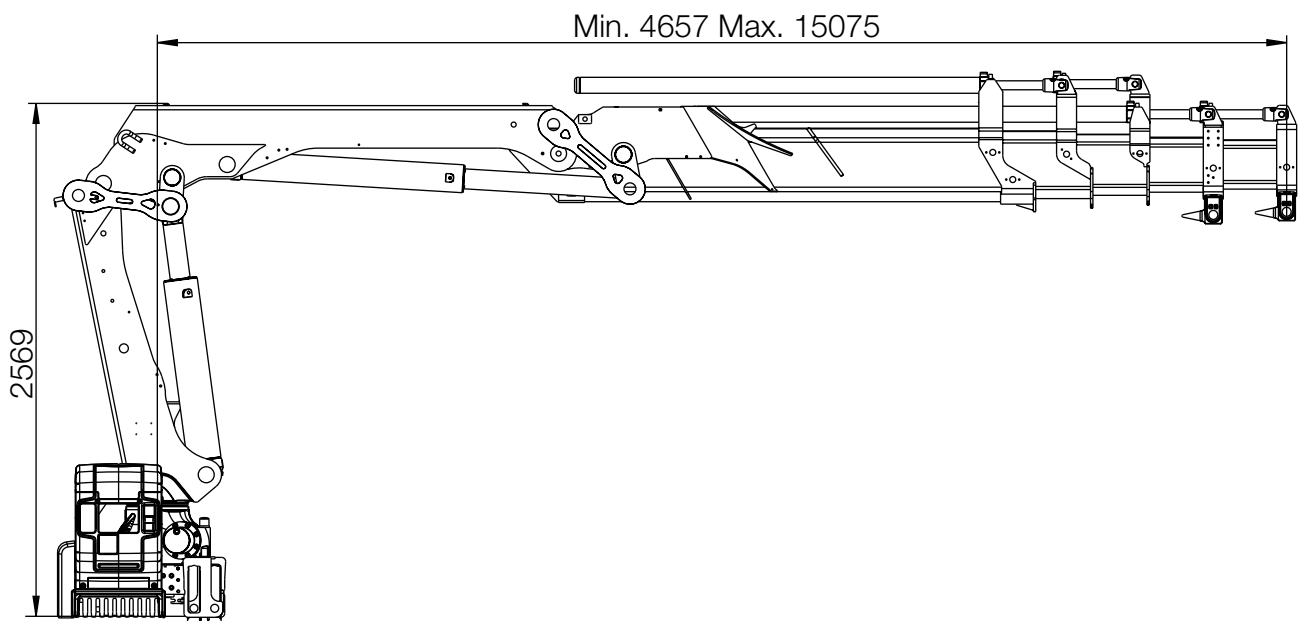
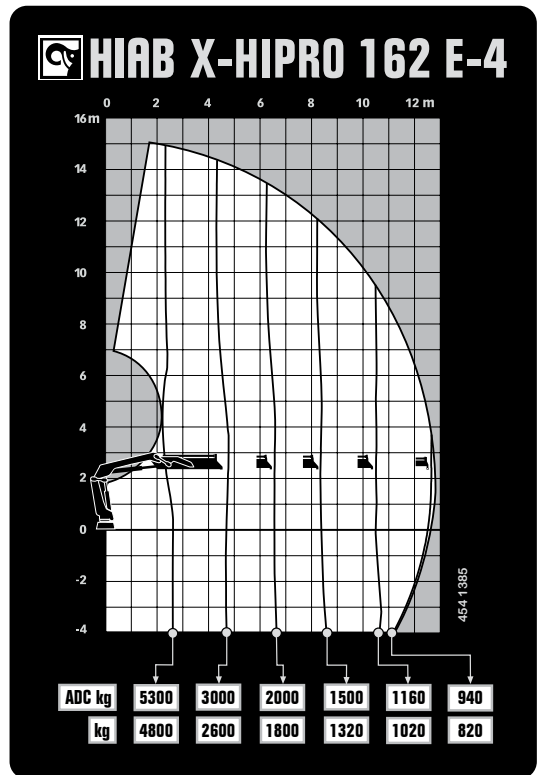
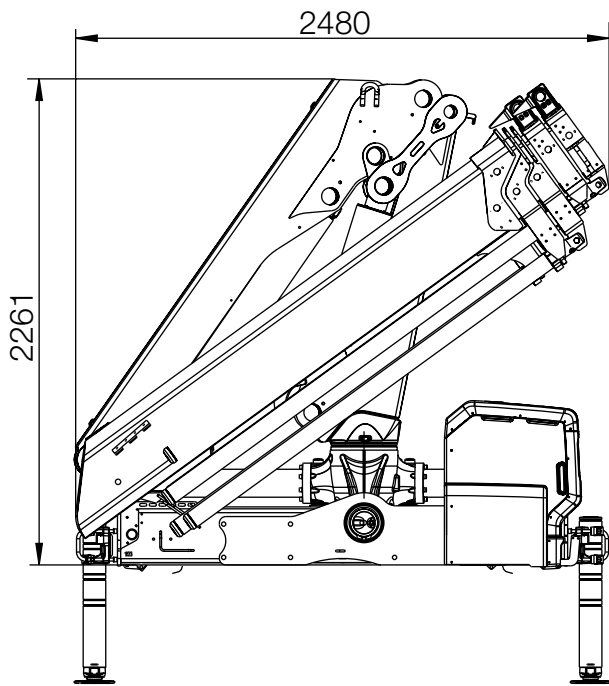
# HIAB X-HIPRO 162 BASIC DATA

BASIC DATA	X-HiPro 162 E-2	X-HiPro 162 E-3	X-HiPro 162 E-4	X-HiPro 162 E-5
Mdyn	176 kNm	177 kNm	177 kNm	178 kNm
Lifting capacity (kNm)	132	126	120	118
Lifting capacity (tm)	13,5	12,8	12,2	12
Lifting capacity (ADC) (kNm)	146	140	138	132
Lifting capacity (ADC) (tm)	14,9	14,3	14,1	13,5
Outreach - lifting capacity, standard (m-kg)	2,4 - 5 900	2,5 - 5 600	2,5 - 5 300	2,6 - 5 000
	4,5 - 3 300	4,6 - 3 100	4,7 - 3 000	4,8 - 2 800
	6,3 - 2 300	6,4 - 2 200	6,5 - 2 000	6,6 - 1 920
	8,2 - 1 760	8,3 - 1 640	8,4 - 1 500	8,5 - 1 400
			10,4 - 1 300	10,5 - 1 160
				12,7 - 940
			15 - 720	
Outreach - lifting capacity, manual extensions (m-kg)	10,4 - 1 340	12,6 - 1 000	15 - 740	17,3 - 560
Hydraulic outreach, standard (m)	8,3	10,5	12,8	15,1
Hydraulic boom extension (m)	3,9 m	5,9 m	8,1 m	10,3 m
Outreach, manual extensions (m)	0	0	0	17,4
Lifting height above installation level, hydr/man (m)	10,8 / 17,5	12,9 / 19,8	15,2 / 19,8	17,5 / 19,8
Rec. oil flow (l/min)	70 - 120	70 - 120	70 - 120	70 - 120
Working pressure (Mpa)	30,9	30,9	30,9	30,9
Oil in tank (l)	70 - 200	70 - 200	70 - 200	70 - 200
Tank capacity (l)	0 - 235	0 - 235	0 - 235	0 - 235
Slewing angle (°)	415	415	415	415
Max slope viable at full capacity (°)	5	5	5	5
Slewing torque, gross (kNm)	16,4	16,4	16,4	16,4
Slewing speed 80 (°/s)	15	15	15	15
Slewing speed (°/s)	15	15	15	15
Lifting speed at standard hydraulic outreach (m/s)	1,5	1,9	2,3	2,7
Height in folded position (mm)	2 261	2 261	2 261	2 261
Width in folded position (mm)	2 375	2 402	2 480	2 519
Install space required with hose and pipe kit (mm)	1 026	1 076	1 064	1 076
Crane in standard version without stabiliser system (kg)	1 860	1 970	2 080	2 190
Frame attachments (kg)	32 - 65	32 - 65	32 - 65	32 - 65
Stabiliser system (kg)	244 - 385	244 - 385	244 - 385	244 - 385

This table show one example of a model, and represents some of all options available. With the opportunity to configure your crane, we can provide you with a crane perfectly tailored to your needs.

Please contact your local dealer for more information and the exact data on the variety of options we can offer.

# Hiab X-HIPRO 162 E-4



# BUILT TO PERFORM

Hiab is the world's leading provider of on-road load handling equipment. Customer satisfaction is the first priority for us. Hiab's product range includes HIAB loader cranes, JONSERED recycling and forestry cranes, LOGLIFT forestry cranes, MOFFETT truck mounted forklifts and MULTILIFT demountables, as well as DEL, WALTCO and ZEPRO tail lifts.

[hiab.com](http://hiab.com)

Hiab is part of Cargotec.

[cargotec.com](http://cargotec.com)



© BD-XIIPRO162-EN-VW\_160906



[hiab.com](http://hiab.com)